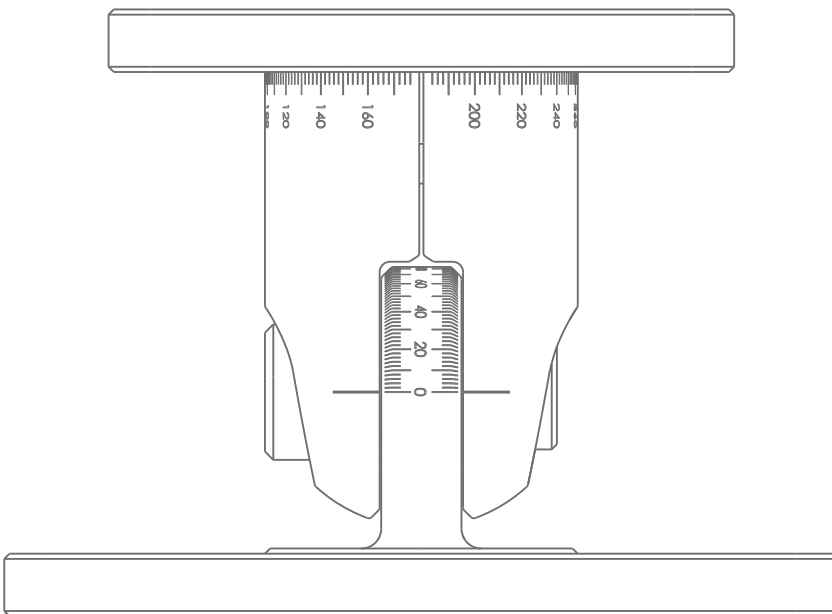


# Zivid Stationary Mount

Technical specification

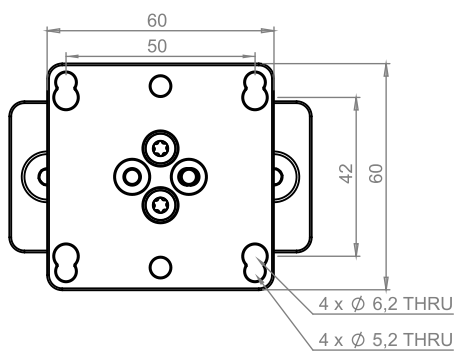
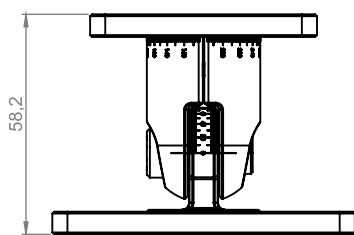
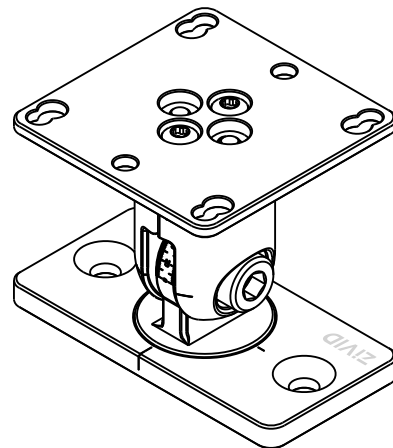
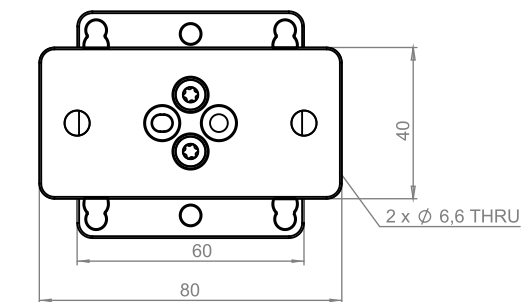
(ZVDA-MNT-ST10)



# General specifications

Material	Aluminium 6061-T6 Stainless steel screws
Size (LxWxH)	80 x 60 x 58 mm
Weight	198 g
Mounting Plate Camera Side	4 x M6 clearance holes 6 x M5 clearance holes 50 x 42 mm rectangular hole pattern
Mounting Plate Host Side	2 x M6 clearance holes for countersunk screws 60 mm center to center hole pattern

# Technical Drawing



## Mounting:

