



Zivid On-Arm Extender

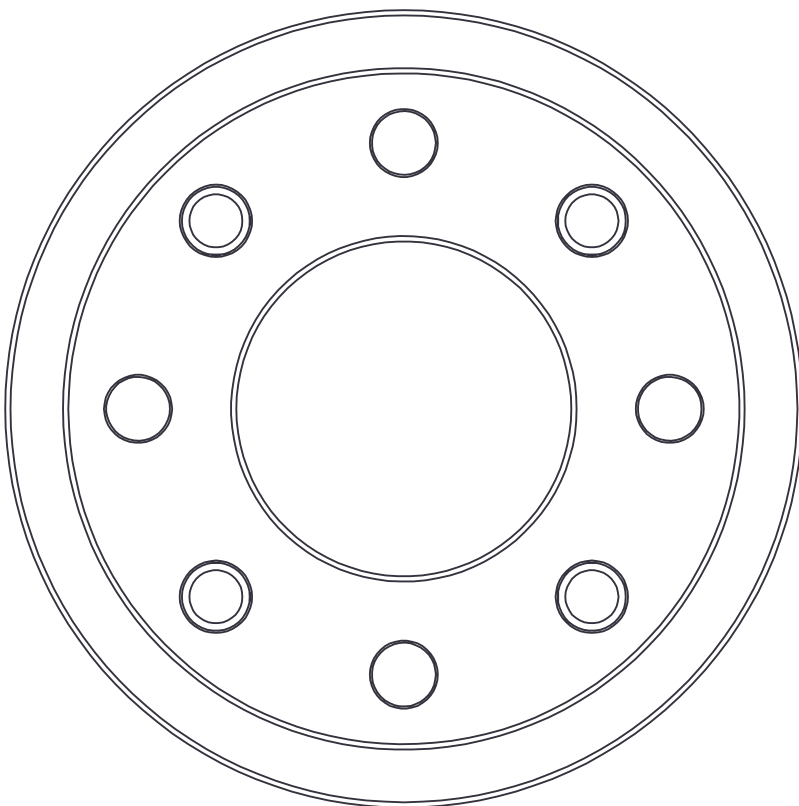
Technical specification

Date: 27.08.2021

Revision: 1.1

Product codes: ZVDA-MNT-OA01E

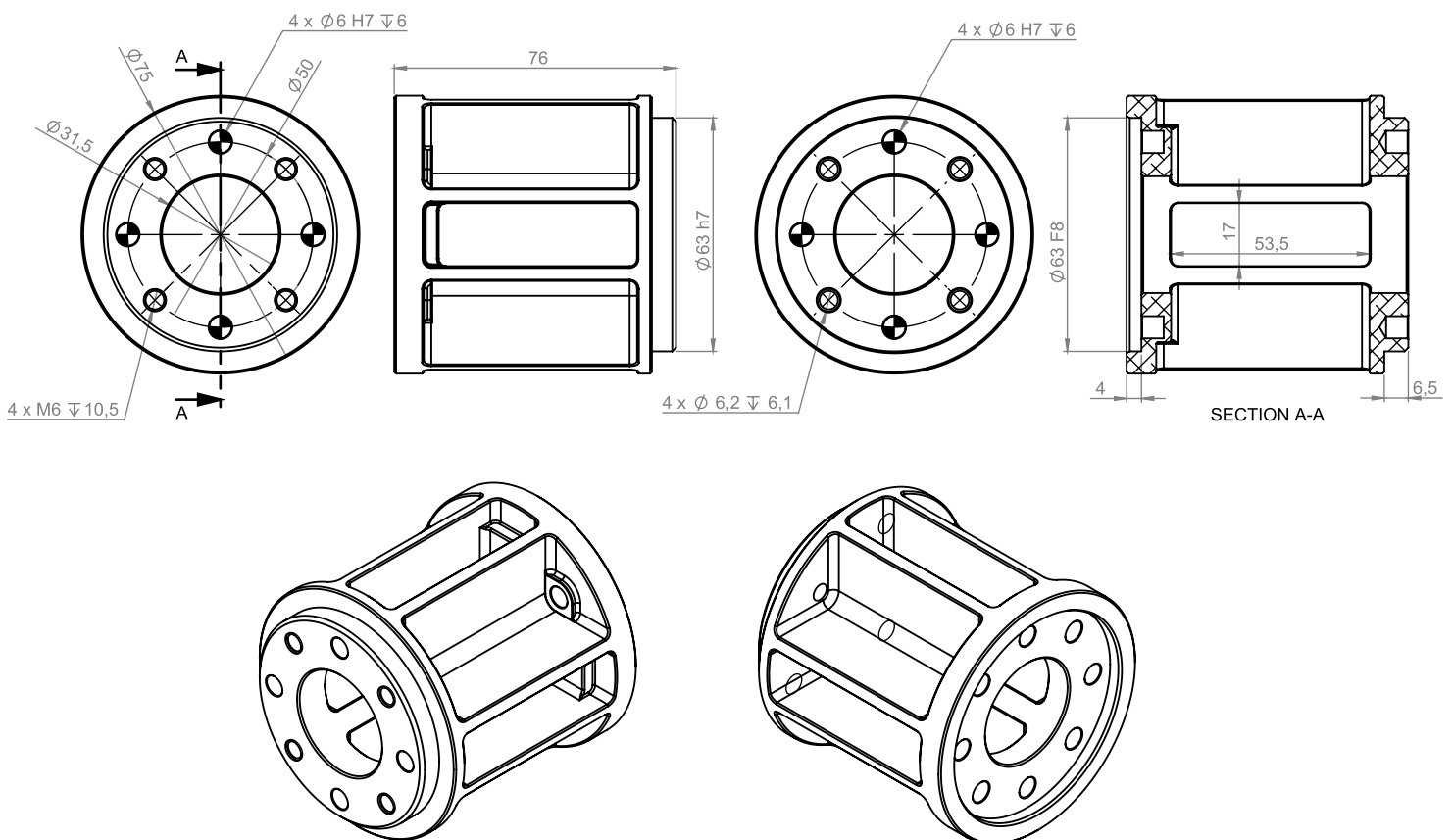
ZVDA-MNT-OA02E



ISO 50 - General specifications

Material	Aluminium 6061-T6 Stainless steel screws
Size (LxWxH)	75 x 75 x 76 mm
Weight	206 g
Interface	4 x M6 clearance holes ISO 50 Robot Flange (ISO 9409-1-50-4-M6)

Technical Drawing



ISO 63 - General specifications

Material	Aluminium 6061-T6 Stainless steel screws
Size (LxWxH)	92 x 92 x 76 mm
Weight	353 g
Interface	4 x M6 clearance holes ISO 63 Robot Flange (ISO 9409-1-63-4-M6)

Technical Drawing

