

ZiVID

Zivid On-Arm Mount

Datasheet

Date: 06.01.2022

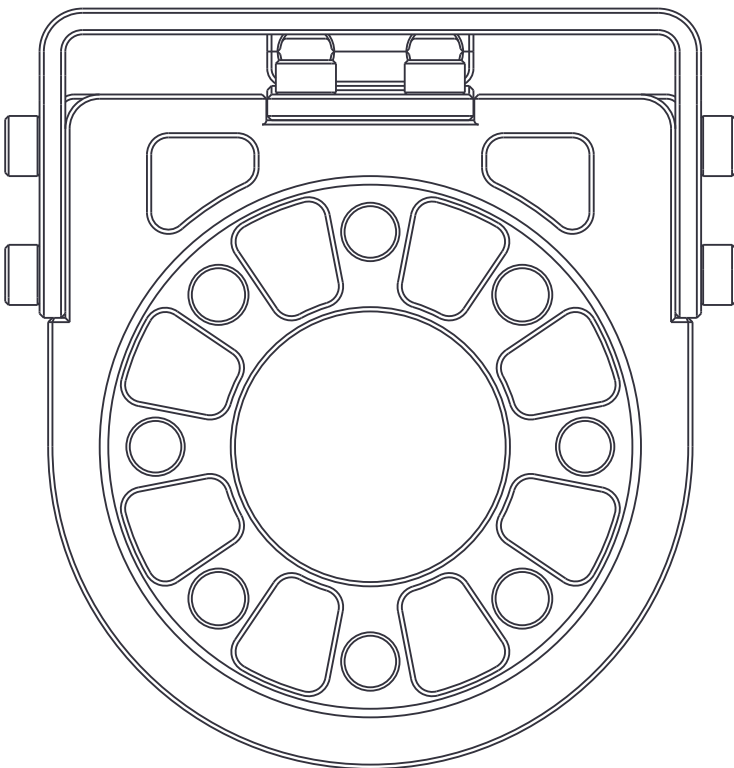
Revision: 1.2

Product codes: ZVDA-MNT-OA111

ZVDA-MNT-OA121

ZVDA-MNT-OA211

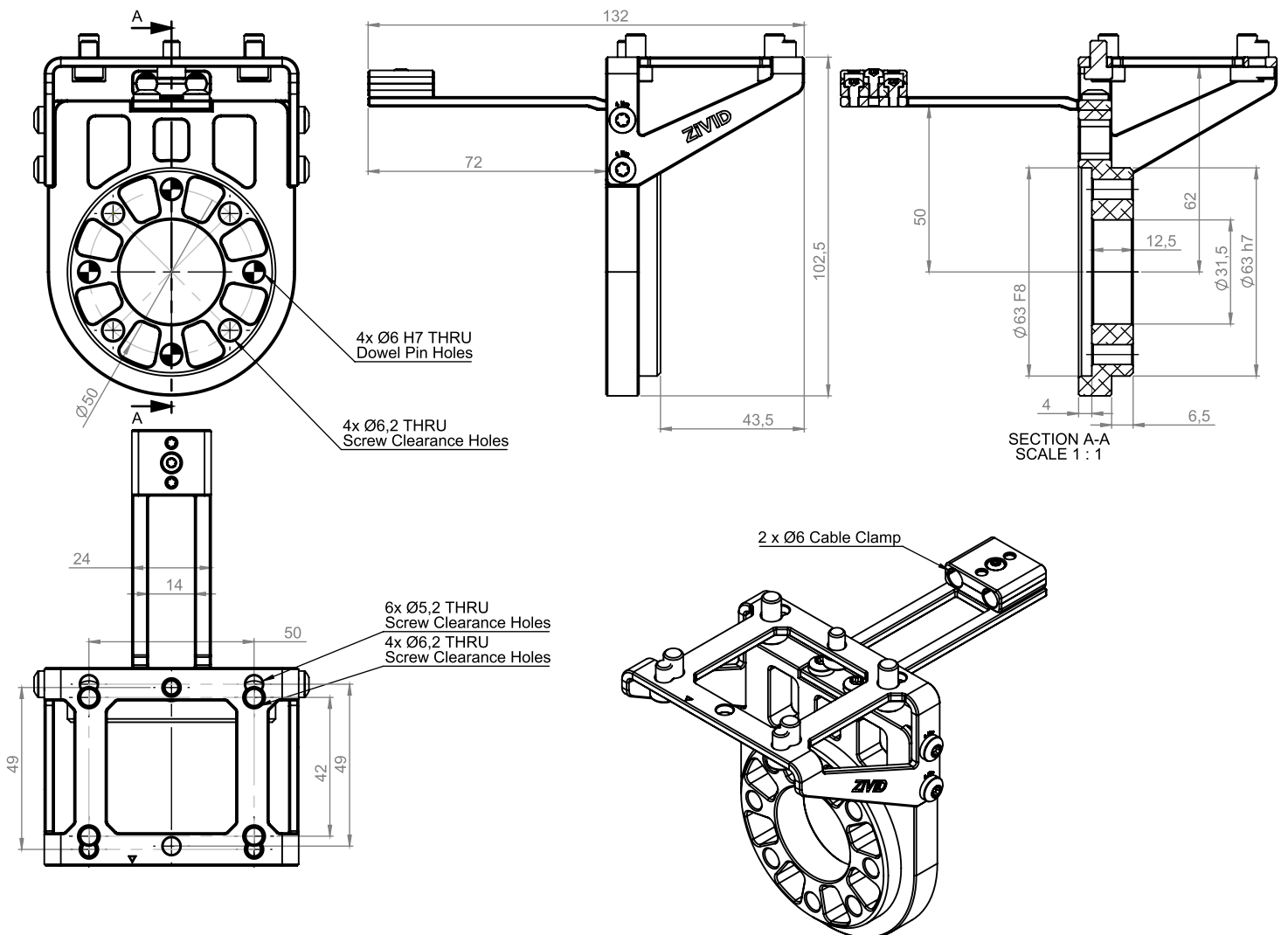
ZVDA-MNT-OA221



OA111: ISO 50 - General specifications

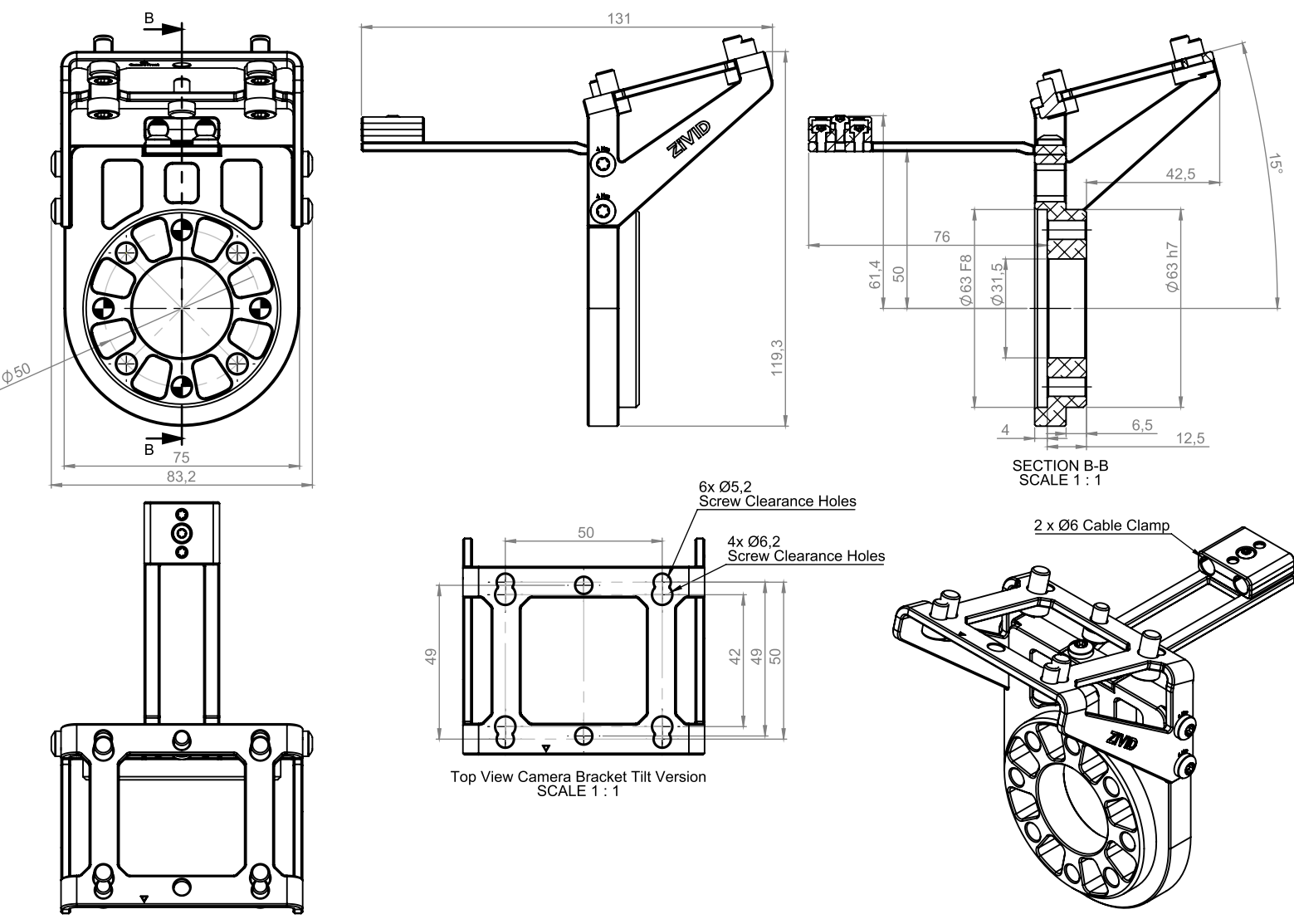
Material	Aluminium 6061-T6 Stainless steel screws
Size (LxWxH)	60* x 103 x 83 mm *132 mm including strain relief
Weight	170 g
Mounting Plate Camera Side	4 x M6 clearance holes for Zivid One Plus 6 x M5 clearance holes for Zivid Two
Mounting Plate Host Side	4 x M6 clearance holes ISO 50 Robot Flange (ISO 9409-1-50-4-M6)

Technical Drawing



OA121: ISO 50 Tilt - General specifications

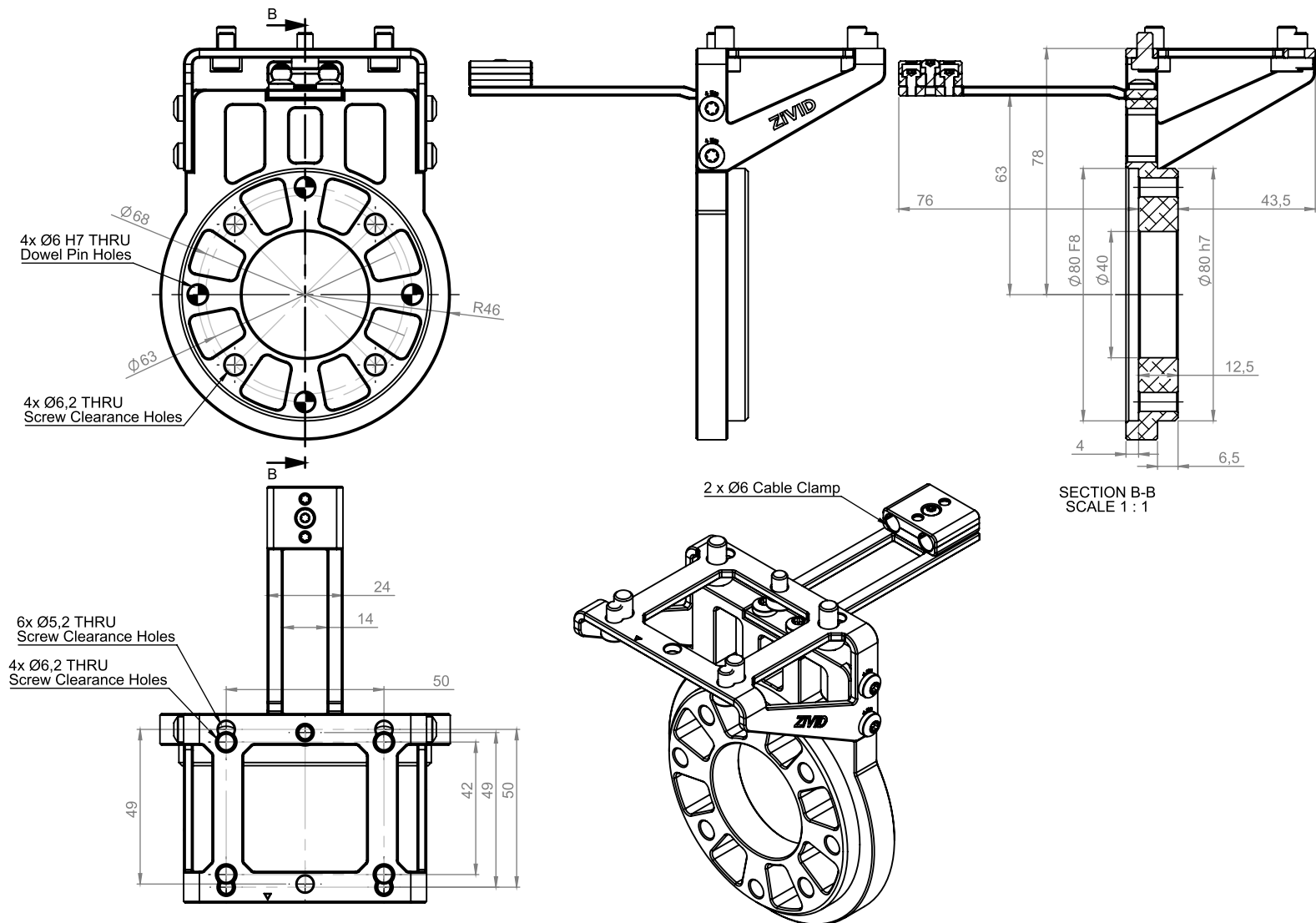
Material	Aluminium 6061-T6 Stainless steel screws
Size (LxWxH)	60* x 119 x 83 mm *131 mm including strain relief
Weight	170 g
Mounting Plate Camera Side	4 x M6 clearance holes for Zivid One Plus 6 x M5 clearance holes for Zivid Two
Mounting Plate Host Side	4 x M6 clearance holes ISO 50 Robot Flange (ISO 9409-1-50-4-M6)



OA211: ISO 63 - General specifications

Material	Aluminium 6061-T6 Stainless steel screws
Size (LxWxH)	60* x 124 x 92 mm *132 mm including strain relief
Weight	207 g
Mounting Plate Camera Side	4 x M6 clearance holes for Zivid One Plus 6 x M5 clearance holes for Zivid Two
Mounting Plate Host Side	4 x M6 clearance holes ISO 63 Robot Flange (ISO 9409-1-63-4-M6)

Technical Drawing



OA221: ISO 63 Tilt - General specifications

Material	Aluminium 6061-T6 Stainless steel screws
Size (LxWxH)	60* x 124 x 92 mm *132 mm including strain relief
Weight	210 g
Mounting Plate Camera Side	4 x M6 clearance holes for Zivid One Plus 6 x M5 clearance holes for Zivid Two
Mounting Plate Host Side	4 x M6 clearance holes ISO 63 Robot Flange (ISO 9409-1-63-4-M6)

Technical Drawing

