



Zivid Active Optical USB 3.0 Cable

Datasheet

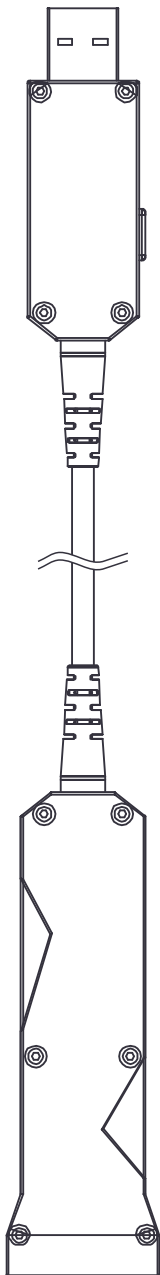
Date: 28.08.2021

Revision: 1.0

Product codes: ZVDA-CBL-USB-10M

ZVDA-CBL-USB-25M

ZVDA-CBL-USB-50M

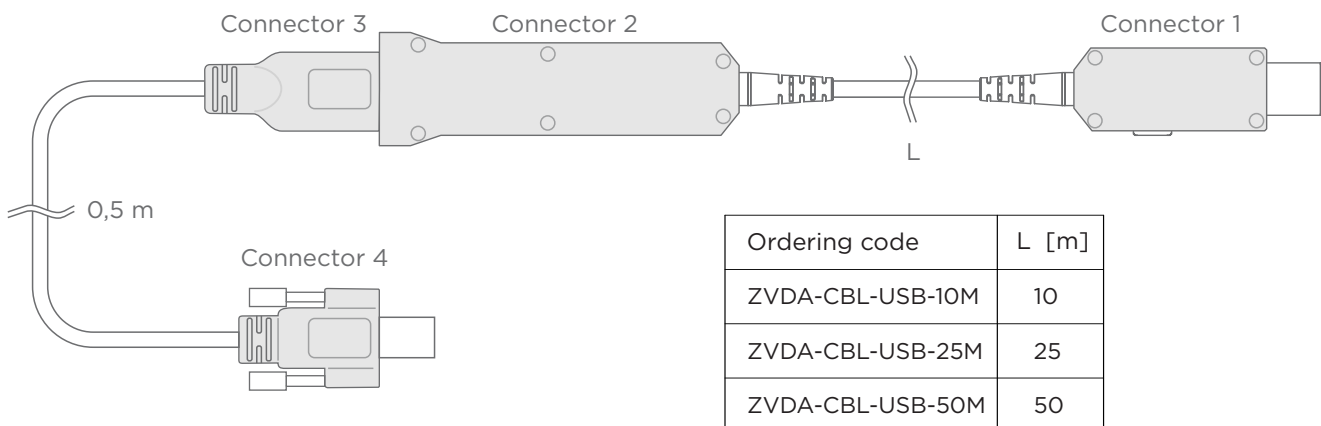


General specifications

Cable	Optical fibre Diameter 4mm Bandwith 5 Gbps
Connector 1	USB male Zinc alloy housing
Connector 2	USB female Zinc alloy housing w. screw holes
Connector 3	USB A male
Connector 4	USB B male w. screws
Power consumption	< 2.1 W
Minimum bend radius static/dynamic	80 / 40 mm
Bend cycles (R 50) Twist cycles ± 180 @ 250 mm	6,3 million 5 million
Crush resistance static/dynamic	1000 / 500 N
Tensile strength short term / long term	300 / 150 N
Operating / storage temp	0 - 50 deg C / -20 - 70 deg C

The USB 3.0 Active Optical USB Cable (AOC) is provided with a 0,5 m copper USB cable attached to the USB female (Connector 2) on the AOC.

Make sure to use the provided 0,5 m copper USB cable with the AOC, changing it might cause signal loss.



Technical Drawing

