

ZiVID

Zivid On-Arm Extender

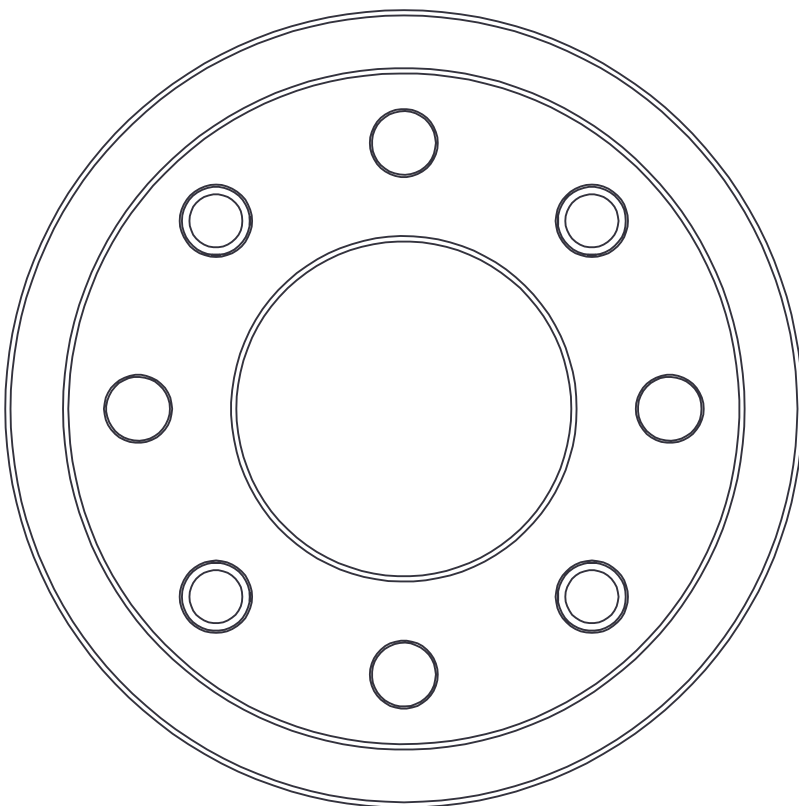
Technical specification

Date: 27.08.2021

Revision: 1.1

Product codes: ZVDA-MNT-OA01E

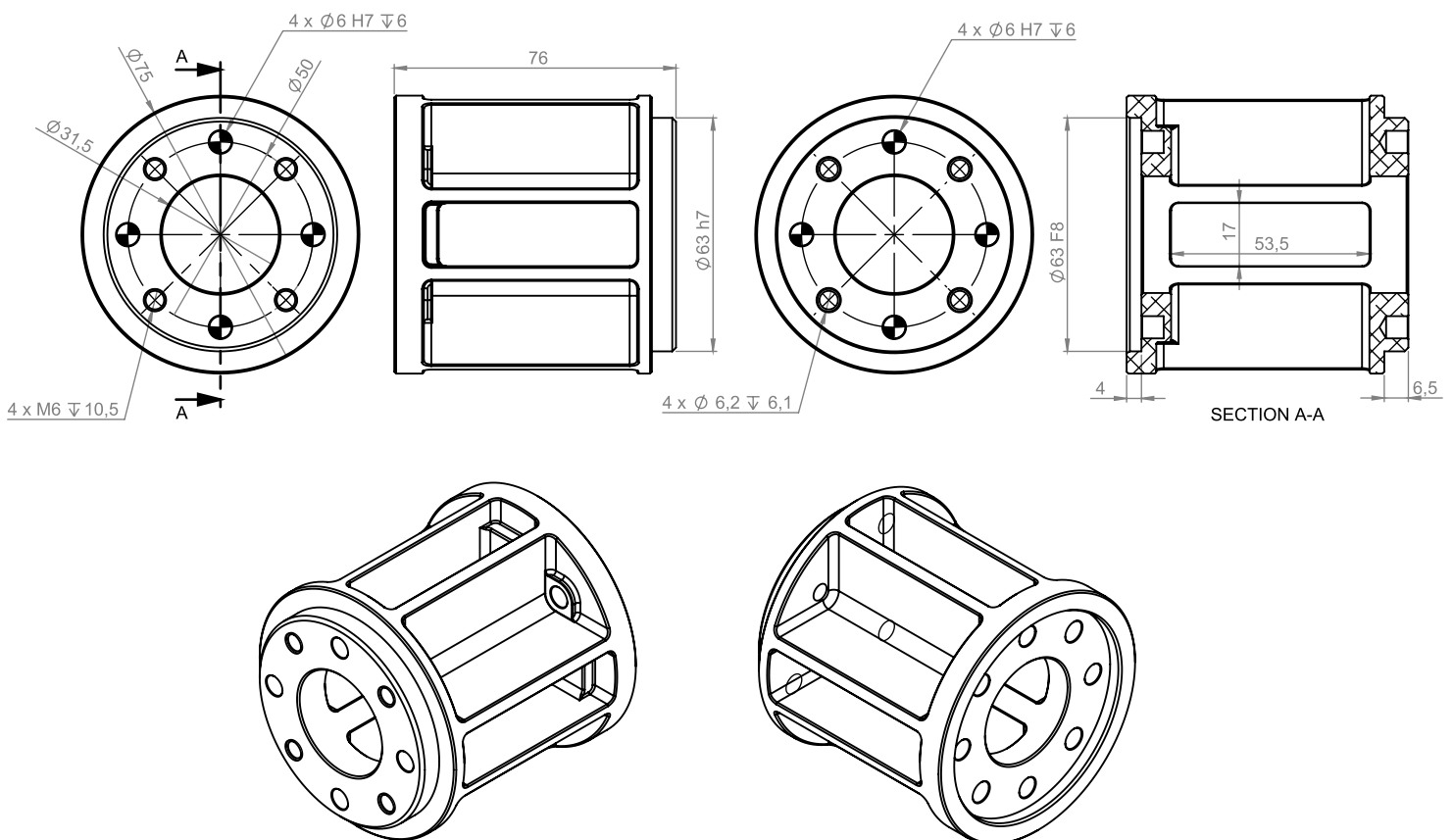
ZVDA-MNT-OA02E



ISO 50 - General specifications

| | |
|--------------|--|
| Material | Aluminium 6061-T6 Stainless steel screws |
| Size (LxWxH) | 75 x 75 x 76 mm |
| Weight | 206 g |
| Interface | 4 x M6 clearance holes ISO 50 Robot Flange (ISO 9409-1-50-4-M6) |

Technical Drawing



ISO 63 - General specifications

| | |
|--------------|--|
| Material | Aluminium 6061-T6 Stainless steel screws |
| Size (LxWxH) | 92 x 92 x 76 mm |
| Weight | 353 g |
| Interface | 4 x M6 clearance holes ISO 63 Robot Flange (ISO 9409-1-63-4-M6) |

Technical Drawing

